



shown in Gloss White with Gray Ash blades

shown in Gloss White with Gloss White blades

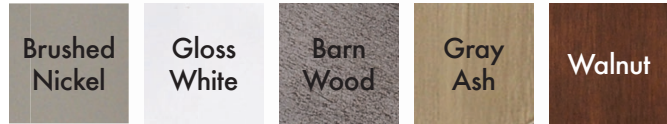


Eliza-H *Geometry in Motion*

Designed in 2014

Designed by Chicago architect Stephen Katz in 2014, the Eliza-H ceiling-mount fan blends a beautiful technically derived form with superior function and movement. The unique blade shape is designed to maximize air movement at the outer edge of the blade. The result is more efficient air velocity rings, less blade drag and greater motor optimization. Equally important is Eliza-H's stationary visual statement which combines modern utility with minimalist geometry. Constructed of cast aluminum, polycarbonate and heavy stamped steel, the Eliza-H has a limited lifetime warranty.

Blade Options



shown in Brushed Nickel with Brushed Nickel blades



shown in Brushed Nickel with Barn Wood blades



shown in Brushed Nickel with Walnut blades

CEILING PITCH TABLE

0/12	0 degrees
1/12	4.76 degrees
2/12	9.46 degrees
3/12	14.04 degrees
4/12	18.43 degrees
5/12	22.62 degrees
6/12	26.57 degrees
7/12	30.26 degrees
8/12	33.69 degrees
9/12	36.87 degrees
10/12	39.81 degrees
11/12	42.51 degrees

CEILING HEIGHT TABLE

Suitable for ceiling heights 7'10" or greater

SKU NAMING CONVENTION

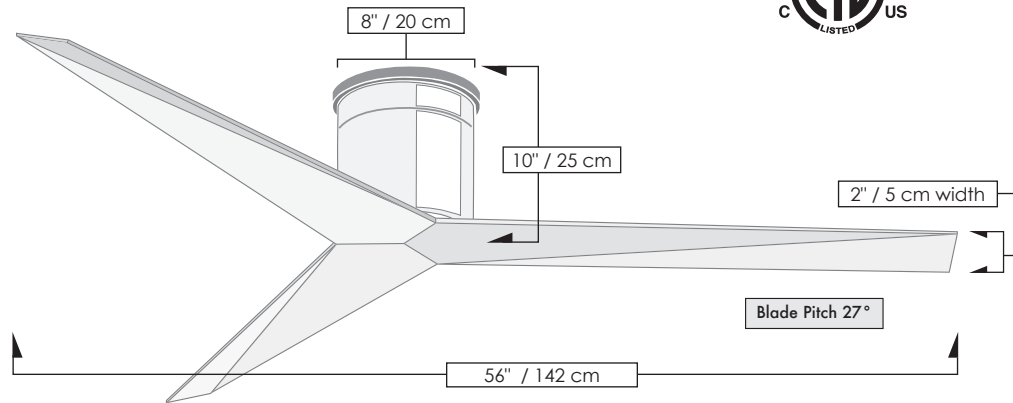
SKU#	EKH-XX-XXX (Model+Finish+Blade Finish)
Finishes	Brushed Nickel - BN
	Gloss White - WH
Blade Finishes	Brushed Nickel - BN
	Gloss White - WH
	Barn Wood - BW
	Gray Ash - GA
	Walnut - WN

STANDARD EQUIPMENT

6-speed RF remote control with reverse function in black



Wireless Decora-style, 6-speed, wall control in white



FAN SPECIFICATIONS

Fan Diameter	56 inches / 142 cm
Overall Drop	10 inches / 25 cm
Fan Weight	14 lbs
Voltage	110 or 220
Motor Type	DC
Remote Control	Hand-held, wall-mountable, 6-speed with reverse
Wall Control	Decora-style, 6-speed wall control: DC-WC
Environments	Damp locations for all finishes Neither coastal, saltwater nor chlorine compatible
Ambience	Silent
Safety Certification	ETL / CETL
Warranty	Limited Lifetime
MOTOR EFFICIENCY DATA AT HIGH SPEEDS	
RPM	172
CFM	5236.43
Watts	30.50
CFM/Watt	171.69
Blade Pitch	27°

Matthews Fan Company

1881 Industrial Drive
Libertyville, IL 60048
Tele: 847.680.9043
Fax: 847.680.8140

www.matthewsfanco.com

© 2017 Matthews Fan Company. All rights reserved.

