



shown in Brushed Stainless

COASTAL WET LOCATION 
100% 316 MARINE GRADE STAINLESS STEEL



Donaire

Designed in 2015

With teardrop motor housing, the 52" Donaire 316 marine grade stainless steel coastal wet location ceiling fan is transitional in design. Donaire is finished in brushed bronze or brushed stainless, equipped with ABS blades and 16W LED dimmable light kit with optional metal cover. Constructed of entirely 316 marine grade stainless steel, the Donaire carries a limited lifetime warranty.



shown in Brushed Bronze





shown in Brushed Bronze
with optional metal cover



shown in Brushed Stainless
with optional metal cover

SKU NAMING CONVENTION	
SKU#	DA-XX (Model+Finish)
Finishes	Brushed Bronze - BB Brushed Stainless - BS

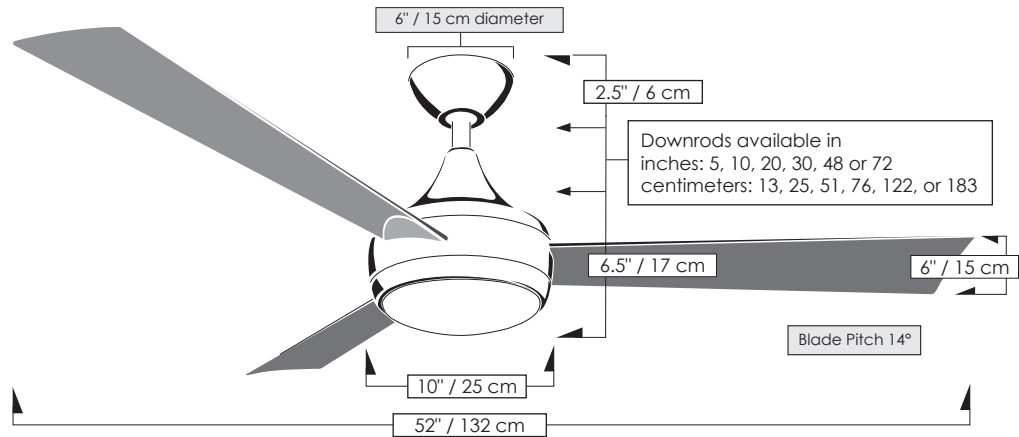
STANDARD EQUIPMENT	
One downrod of 10 inches / 13 cm	
Vaulted ceiling canopy for up to 29°	
Light cover	
3-speed RF remote control in black	ACCESSORY Decora-style, 3-speed, Lutron SFSQ-LF non-dimmable wall control
	

CEILING HEIGHT / DOWNROD TABLE	
Ceiling Height	Downrod Lengths <i>Field cuttable. Non-threaded</i>
10 ft or less	5 inches / 13 cm
10 -12 feet	10 inches / 25 cm
13 feet	20 inches / 51 cm
14 feet	30 inches / 76 cm
15 feet	48 inches / 122 cm
16 feet +	72 inches / 183 cm

CEILING PITCH TABLE	
0/12	0 degrees
1/12	4.76 degrees
2/12	9.46 degrees
3/12	14.04 degrees
4/12	18.43 degrees
5/12	22.62 degrees
6/12	26.57 degrees
7/12	30.26 degrees
8/12	33.69 degrees
9/12	36.87 degrees
10/12	39.81 degrees
11/12	42.51 degrees

Donaire

TECHNICAL SPECIFICATIONS



FAN SPECIFICATIONS						
Fan Diameter	52 inches / 132 cm					
Overall Drop	6.5 inches / 17 cm + downrod length					
Fan Weight	29 lbs					
Voltage	110 (Please contact us for 220 conversion)					
Motor Type	AC					
Downrods Lengths <i>Field cuttable. Non-threaded</i>	inches: 5, 10, 20, 30, 48, 72 centimeters: 13, 25, 51, 76, 122, 183					
Downrod Diameter	1 inch					
Remote Control	Hand-held & wall-mountable 3-speed					
Wall Control	Lutron decora-style wall control: SFSQ-LF					
Environment	Coastal Wet Locations					
Ambience	Silent					
Safety Certification	UL / CUL					
Warranty	Limited Lifetime					
MOTOR EFFICIENCY DATA AT HIGH SPEEDS						
RPM	172					
CFM	6012.55					
Watts	58.62					
CFM/Watt	102.57					
Blade Pitch	14°					
LIGHT KIT PHOTOMETRICS						
Lamping (Replaceable)	Remote Dimmable	Temperature	Delivered Lumens	CRI	Watts	Hours
Integrated LED	Yes	3017 K	725	90	16	60,000

Matthews Fan Company

1881 Industrial Drive
Libertyville, IL 60048
Tele: 847.680.9043
Fax: 847.680.8140

www.matthewsfanco.com

© 2017 Matthews Fan Company. All rights reserved.

