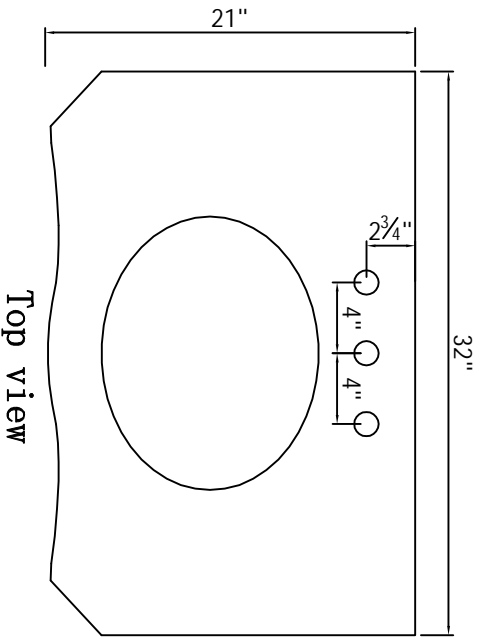
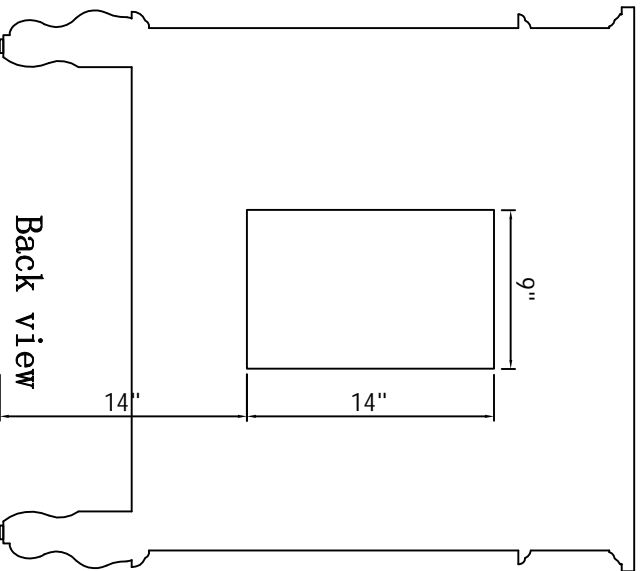


Side view



Top view



Back view

DWG. NO.

MODEL NO:

VF10132AB

SPEC NO:

QUANTITY:

DATE:

CHECKED BY:

FOR PROPOSAL ONLY ALL DIMENSIONS TO BE VERIFIED

PROJECT:

COLOR:

FINISH:

REVISIONS

1	
2	
3	
4	
5	
6	

 **ELEGANT**
FURNITURE & LIGHTING™

500-550 E. Erie Avenue

Philadelphia PA 19134

1-888-388-3390

Model #	VF10132AB	Finish	Antique Beige	Mirror type	N/A	Beveled glass	N/A	Frame material	Solid wood and MDF
Solid wood construction	Solid wood legs	Drawers Included	NO	Number of Drawers	0	Joinery Type	SQUARE ENDED BUTT JOINT	Drawer railing	N/A
Drawer Length	N/A	Drawer Width	N/A	Drawer Height	N/A	Shelves	Yes	Number of Shelves	1
Doors Included	Yes	Number of Doors	2	Finish Back	Yes	Hardware Finish	Antique bronze finish	Assembly	No
Countertop Included	Yes	Countertop material	Marble	Number of Sinks	1	Sink material	Porcelain	Sink length	15.25
Sink width	12	Sink height	7	accommodated Sink hole size	1.75	Mounting type	Free-Standing	Backsplash	No
Backsplash length	N/A	Backsplash width	N/A	Backsplash height	N/A	Drain assembly included	No	Faucet included	No
Faucet type	No	Faucet hole size	1.5	Faucet hole spacing	8"3 Holes	Length/Diameter	32	Width	21
Height	36	Package LENGTH (Inches)	37.25	Package WIDTH (Inches)	26.5	Package Height (Inches)	41	Package Weight (lbs)	121.88
Product Weight	106.92	Shipment Type	LTL	table top width	21"	table top finish	White	glass top tempered	N/A
table top maximum weight	66 LBS	Table: seating capacity	1	upholstery color	N/A	upholstery pattern	N/A	cushion material	N/A
base finish	Antique Beige	powder coated finish	NO	base material	MDF	top material	Marble	wood species	Rubberwood
tip over restraint strap	NO	shape of top	Rectangle	lift top	NO	shelf material	MDF	adjustable shelves	NO
Drawer Handle designs & Door Knob Model	knobs & KB110	safety stop	Yes	felt lined drawers	NO	drawer glide extension	N/A	drawer glide material	N/A
drawer dividers	N/A	Drawer Interior finish	Antique Beige	Ball Bearing Glides	NO	soft close drawer glides	N/A	Number of cabinets	1
shelf height	10-1/8"	shelf width	25	shelf depth	15-3/4"	Shelf thickness	1/2"	Any certification?	NO
California Proposition 65 warning required	YES	Drawers Interior Height	N/A	Drawer Interior Width	N/A	Drawer Interior Depth	N/A	cabinet interior height	20-3/8"
cabinet interior width	25	cabinet interior depth	15-3/4"	leg height	8-7/8"	leg width	2-7/8"	leg depth	2-7/8"
glass finish	N/A	stackable	NO	leg design	Cabriole legs	Armories: ring slots	N/A	Armories: hooks	N/A
armories: mirror dimensions	N/A	door thickness	7/8"	False drawers?	NO	sink type	Undermount	# of faucet holes	3

DWG. NO.

MODEL NO:
VF10132AB

SPEC NO:

QUANTITY:

DATE:

CHECKED BY:

FOR PROPOSAL ONLY ALL DIMENSIONS TO BE VERIFIED

PROJECT:

COLOR:

FINISH:

REVISIONS

1

2

3

4

5

6



500-550 E. Erie Avenue

Philadelphia PA 19134

1-888-388-3390