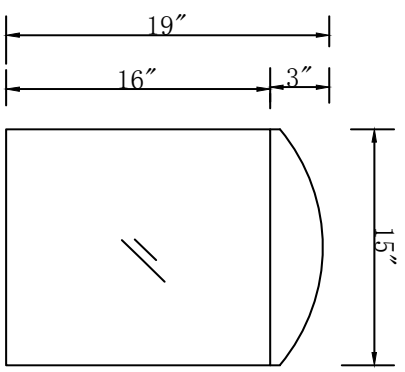
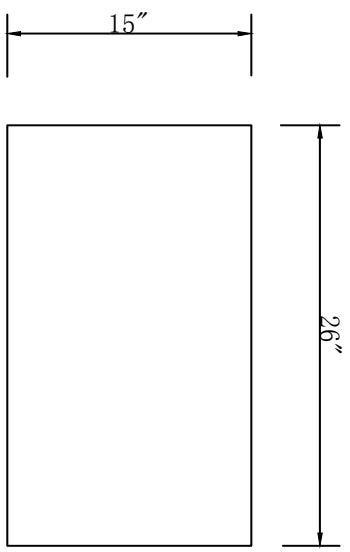


Front view



Side view



Top view

DWG. NO. :

MODEL NO. :

MF91018

ALTERATIONS

△1	
△2	
△3	
△4	

FOR PROPOSAL ONLY ALL DIMENSIONS TO BE VERIFIED

SCALE:

DWG. BY:

CHECKED BY:

DATE: Jun20th, 2017

PROJECT:

Qty:

Color:

DRAWINGTITLE:

FINISH:



Model #	MF91018	Doors included	NO	table top maximum weight(lbs)	66LBS	safety stop	N/A	Drawer Interior Depth (IN)	N/A
Finish	Clear	Number of Doors	0	Table: seating capacity	N/A	felt lined drawers	N/A	cabinet interior width (IN)	N/A
Hand Painted	Yes	Finished Back	NO	upholstery color	N/A	drawer glide extension	N/A	cabinet interior depth (IN)	N/A
Mirror type	Clear Mirror	Hardware finish	N/A	upholstery pattern	N/A	drawer glide material	N/A	cabinet interior height (IN)	N/A
Beveled glass	Yes	Assembly	NO	cushion material	Leather	drawer dividers	N/A	leg height (IN)	16"
Frame material	MDF	Product Width (IN)	26"	base finish	Silver	Drawer Interior finish	N/A	leg width (IN)	4"
Solid wood construction	MDF	Product Depth (IN)	15"	powder coated finish	NO	Ball Bearing Glides	N/A	leg depth (IN)	4"
Drawers Included	NO	Product Height (IN)	19"	base material	MDF	soft close drawer glides	N/A	gloss finish	NO
Number of Drawers	N/A	Package LENGTH (IN)	31.3"	top material	Leather	Number of cabinets	0	stackable	NO
Joinery Type	N/A	Package WIDTH (IN)	19.9"	wood species	MDF	shelf height (IN)	N/A	leg design	Rectangle Legs
Drawer railing	N/A	Package HEIGHT (IN)	23.4"	tip over restraint strap	N/A	shelf width (IN)	N/A	Armoires: ring slots	N/A
Drawer Width (IN)	N/A	Package Weight(lbs)	66.0LBS	shape of top	Rectangle	shelf depth (IN)	N/A	Armoires: hooks	N/A
Drawer Depth (IN)	N/A	Product Weight(lbs)	53.0LBS	lift top	NO	Shelf thickness	N/A	armoires: mirror dimensions	N/A
Drawer Height (IN)	N/A	Shipping Type	Small Parcel	shelf material	N/A	Any certification?	CARB	door thickness	N/A
Drawer Model	N/A	table top width (IN)	15"	adjustable shelves	N/A	California Proposition 65 warning required?	YES	false drawers?	N/A
Shelves	NO	table top finish	N/A	Drawer Handle designs	N/A	Drawers Interior Height (IN)	N/A	sink type	N/A
Number of Shelves	0	glass top tempered	NO	Door Knob Model	N/A	Drawer Interior Width (IN)	N/A	# of faucet holes	N/A

DWG. NO.

MODEL NO:MF91018

SPEC NO:

QUANTITY:

DATE:JUN20TH,2017

CHECKED BY:

FOR PROPOSAL ONLY ALL DIMENSIONS TO BE VERIFIED

PROJECT:

COULR:

FINISH:

REVISIONS

Δ		
Δ		
Δ		
Δ		
Δ		
Δ		



500-550E. Erie Avenue Philadelphia PA 19134 1-888-388-3390