

Job Name:	Contact:
Ordering Code:	Fixture Type:



Versa LED Track Spot

Description

VERSA is a line voltage track spot with manual beam control to the degree. With 25° to 60° design options built in, VERSA allows for simple adjustment by simply turning the snoot without changing reflectors or lens media. Delivering 114 lm/watt @ 90+ CRI using Citizen's latest LED technology.

Housing

Extruded aluminum housing with white or black finish. Adjustable snoot has pre-set beam indicators for 25, 40, and 60 degrees. Further refined beam control can be attained during hot-adjustment of snoot.

Mounting

GEO track, ECO track/ Halo® Power Trac, or Zonyx track.

Electrical

- 120Vac input, 50/60Hz, 18.4W/ 18.5VA
- Trailing Edge (ELV) dimming to less than 10%

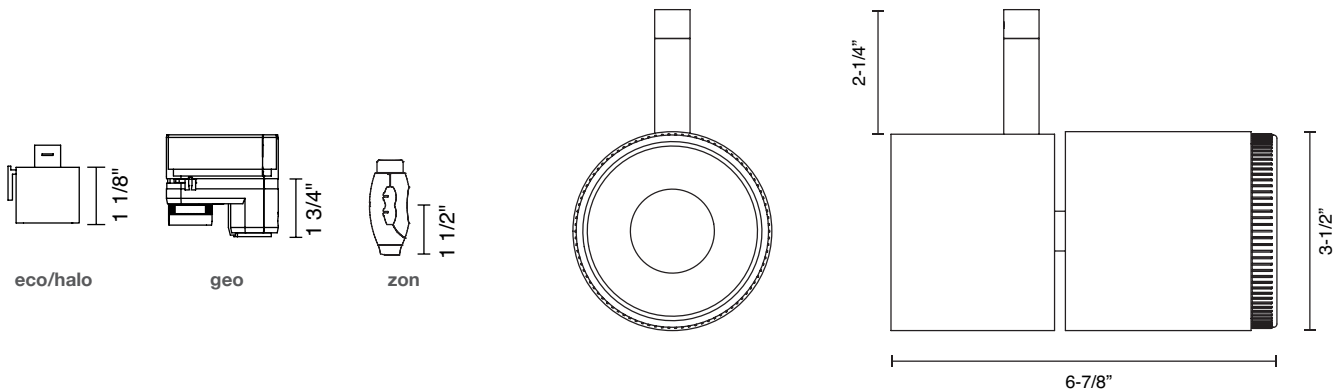
Listings

- ETLus Listed to UL1574 (track suitable for dry locations only)
- cETL Listed to CSA C22.2 #9.0
- Made in the USA - meets the requirements for the Buy American provision within the ARRA

Ordering Codes

Follow the steps to specify your fixture, example: 350430 - 21LM - 30K - 90 - 120 - ELV - bk - ecobk

Part Number	Delivered Lumen		CCT		CRI		Voltage		Dimming		Finish		Mounting	
350430	21LM	2110 lm	30K	3000K	90	90 CRI	120	120V	ELV	Trailing Edge (ELV) Dimming	bk	black	ecobk	ECO/HALO black
			35K	3500K							wh	white	ecowh	ECO/HALO white
													geobk	GEO black
													geowh	GEO white
													zonmc	zonyx matte chrome



LM-79

Job Name:

Contact:

Ordering Code:

Fixture Type:

LED Performance

LED	Citizen CLU038-1208 ver.6
SDCM	3 step MacAdam Ellipse
CCT	3000K, 3500K
CRI Ra	92 typical
Efficacy	114 lumens/ watt (3500K)
Life	L80 > 102,000 hrs
Warranty	5 year limited fixture warranty

Delivered Lumen (CCT vs. Beam)

Source Lumens	Beam Angle	3000K	3500K
21LM	20°	2050 lm	2080 lm
	40°	2000 lm	2030 lm
	60°	2080 lm	2110 lm

